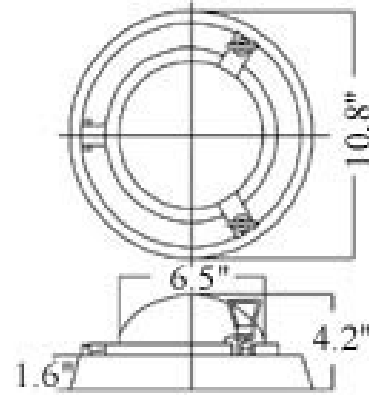


R-4: PORTHOLE LIGHT



Maximum Wattage: 75 watts standard Incandescent bulb
UL Approved Socket
Frosted Glass
Mounting Information: Drill holes through light to attach on electrical box and hardware.

Available Finishes

Standard Finishes:

Brass – \$235

Chrome – \$275

Typically in-stock and available for immediate shipment

Replacement Glass: \$20

Custom Finishes*:

Antique Brass

Oil Rubbed Bronze

Pewter

Polished Copper

Polished Nickel \$355 Each

Satin Brass

Satin Copper

Satin Nickel

Verdi

**Custom Finish Information: Please allow 4-6 weeks ; Not refundable; Minimum of two lights*

View our Website for Custom Finish Lights Currently in our Inventory

68 Front St. Marblehead, MA 01945 p. 781-631-3864 f. 781-823-5555
info@shiplights.com

~ A Division of Brass 'N Bounty ~