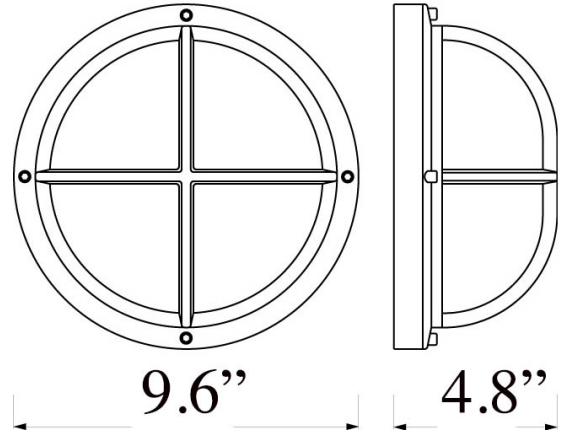


# B-3: BULKHEAD LIGHT w/ CROSS BAR



**LISTED Suitable for Wet Locations**

Interior / Exterior Residential & Commercial Use

Max Wattage:

100w LED Equivalent; 100w Wall, 60w Ceiling Incandescent Bulb ;  
Medium Base (E26) Socket, Dimmable (GU-24 also available)

Glass: Frosted Glass

Mounting: 9.6" Mounting Surface, attaches to standard box. All Installation Hardware Provided

Orientation: Can be used as Wall or Ceiling Fixture

Options: Available with Hood (B-2) or Open (F-5)

Material: Solid Brass Construction

---

## Available Finishes

### Standard Finishes:

Unlacquered Brass – \$300  
Industrial Chrome – \$325  
Polished Chrome - \$365

*Typically in-stock & available  
for immediate shipment*

Replacement Glass:  
Frosted - \$30

### Custom Finishes\*: \$425 Each

Brass (Antique, Lacquered, Satin)  
Copper (Antique, Polished, Satin)  
Nickel (Antique, Polished, Satin)  
Oil Rubbed Bronze ~ Pewter  
Satin Chrome ~ Verdigris  
Powder Coat (All Colors Available)  
Custom Matching Also Available

*\*Custom Finish Info: 4-8 weeks unless in-stock; Rush  
Available; Special Orders not Refundable; Custom Lights  
often in-stock ; Minimum of two lights if not in-stock*

---

**Shiplights**  
*Residential & Commercial Lighting*

68 Front St. Marblehead, MA 01945  
p. 781-631-3864 f. 781-823-5555  
info@shiplights.com  
~ A Division of Brass 'N Bounty~

SOLID BRASS ~ WEATHER-PROOF ~ UL LISTED ~ DURABLE