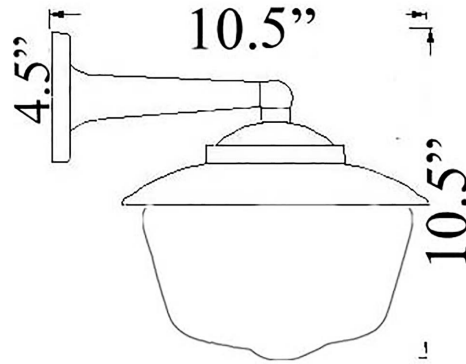


H-7: ART DECOR WALL MOUNT



LISTED ; Interior / Exterior Residential & Commercial Use

Max Wattage:

100w LED Equivalent; 75w Incandescent Bulb ;
Medium Base (E26) Socket, Dimmable (GU-24 also available)

Glass: Milk/White Glass (Other types available upon request)

Mounting: 4.5" Mounting Plate attaches to standard box. All Install Hardware Provided.

Options: Ceiling Mounts, Larger Size and Caged Versions Available;

Material: Solid Brass Construction

Available Finishes

Standard Finishes:

Unlacquered Brass – \$325
Polished Chrome – \$345

*Typically in-stock & available
for immediate shipment*

Replacement Glass: \$55

Custom Finishes*: \$445 Each

Brass (Antique, Lacquered, Satin)
Copper (Antique, Polished, Satin)
Nickel (Antique, Polished, Satin)
Oil Rubbed Bronze ~ Pewter
Satin Chrome ~ Verdigris
Powder Coat (All Colors Available)
Custom Matching Also Available

**Custom Finish Info: 4-8 weeks unless in-stock; Rush Available; Special Orders not Refundable; Custom Lights often in-stock ; Minimum of two lights if not in-stock*

Shiplights
Residential & Commercial Lighting

68 Front St. Marblehead, MA 01945
p. 781-631-3864 f. 781-823-5555
info@shiplights.com
~ A Division of Brass 'N Bounty~