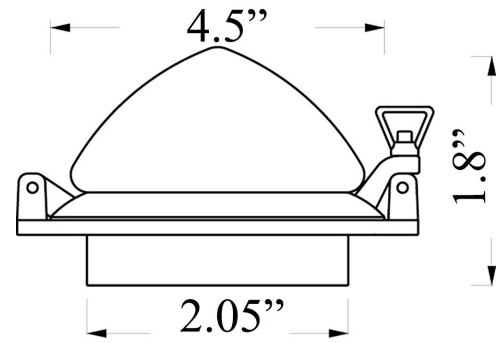


N-1: 12v PORTHOLE NOVELTY LIGHT



Interior / Dry Residential & Commercial Use

Max Wattage:

28w LED Equivalent; 20w Halogen Bulb ;

12V G4 Socket (Accepts LED, Halogen); Requires a transformer for Residential Use

Glass: Frosted Glass

Mounting: Light is slightly recessed; Mounting screws provided

Orientation: Can be used as Wall or Ceiling Fixture

Material: Solid Brass Construction

Available Finishes

Standard Finishes:

Lacquered Brass – \$145

Polished Chrome - \$145

*Typically in-stock & available
for immediate shipment*

Shiplights
Residential & Commercial Lighting

68 Front St. Marblehead, MA 01945
p. 781-631-3864 f. 781-823-5555
info@shiplights.com
~ A Division of Brass 'N Bounty~

SOLID BRASS ~ WEATHER-PROOF ~ DURABLE