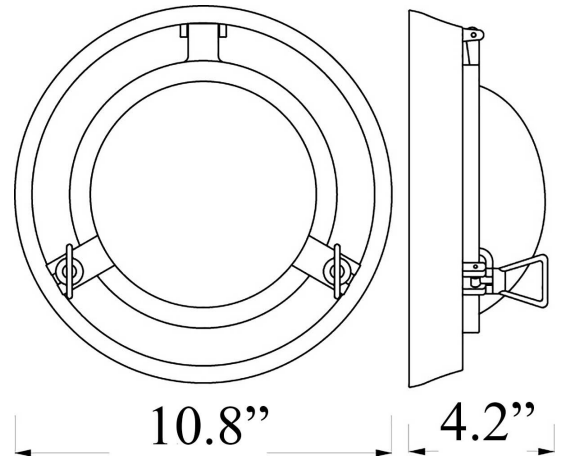


R-4: PORTHOLE LIGHT



LISTED UL Listed; Dry Residential & Commercial Use

Max Wattage:

100w LED Equivalent; 75w Wall, 60w Ceiling Incandescent Bulb ;
Medium Base (E26) Socket, Dimmable (GU-24 also available)

Glass: Frosted Glass Only

Mounting: 10.8" Mounting Surface, attaches to standard box. All Installation Hardware Provided

Orientation: Can be used as Wall or Ceiling Fixture

Material: Solid Brass Construction

Available Finishes

Standard Finishes:

Unlacquered Brass – \$335

Polished Chrome - \$355

*Typically in-stock & available
for immediate shipment*

Replacement Glass:

Frosted - \$25

Custom Finishes*: \$455 Each

Brass (Antique, Lacquered, Satin)

Copper (Antique, Polished, Satin)

Nickel (Antique, Polished, Satin)

Oil Rubbed Bronze ~ Pewter

Satin Chrome ~ Verdigris

Powder Coat (All Colors Available)

Custom Matching Also Available

**Custom Finish Info: 4-8 weeks unless in-stock; Rush
Available; Special Orders not Refundable; Custom Lights
often in-stock ; Minimum of two lights if not in-stock*

Shiplights
Residential & Commercial Lighting

68 Front St. Marblehead, MA 01945

p. 781-631-3864 f. 781-823-5555

info@shiplights.com

~ A Division of Brass 'N Bounty~

SOLID BRASS ~ WEATHER-PROOF ~ UL LISTED ~ DURABLE