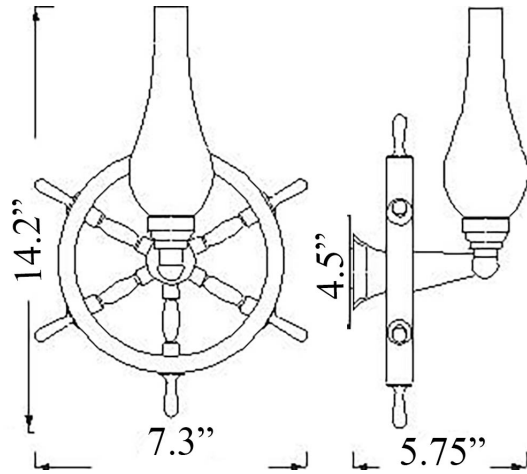


# S-1: NAUTICAL WHEEL WALL SCONCE



**LISTED** ; Interior / Dry Residential & Commercial Use

Max Wattage:

100w LED Equivalent; 60w Incandescent Bulb ;  
Small Base (E12) Socket, Dimmable

Glass: Clear Glass Chimney Only

Mounting: Back plate (4.5" diameter) provided separately (in matching finish) to cover standard junction box. All installation hardware provided.

Material: Solid Brass Construction.

### Available Finishes

Standard Finishes:

- Unlacquered Brass – \$235
- Polished Chrome - \$235

*Typically in-stock & available for immediate shipment*

Replacement Glass:  
Clear - \$22

Custom Finishes\*: \$345 Each

- Brass (Antique, Lacquered, Satin)
- Copper (Antique, Polished, Satin)
- Nickel (Antique, Polished, Satin)
- Oil Rubbed Bronze ~ Pewter
- Satin Chrome ~ Verdigris
- Powder Coat (All Colors Available)
- Custom Matching Also Available

*\*Custom Finish Info: 4-8 weeks unless in-stock; Rush Available; Special Orders not Refundable; Custom Lights often in-stock ; Minimum of two lights if not in-stock*



68 Front St. Marblehead, MA 01945  
p. 781-631-3864 f. 781-823-5555  
info@shiplights.com  
~ A Division of Brass 'N Bounty~

SOLID BRASS ~ WEATHER-PROOF ~ UL LISTED ~ DURABLE