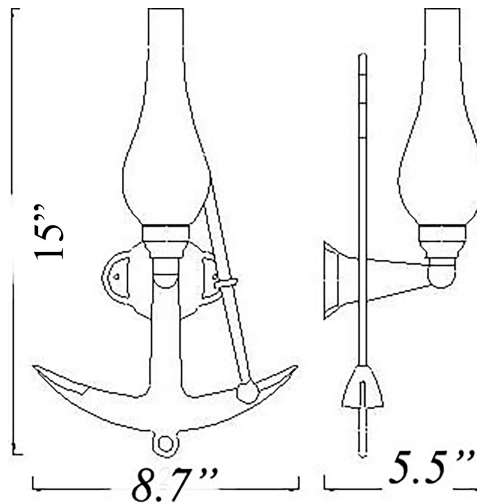


S-2: ANCHOR WALL SCONCE



LISTED ; Interior / Dry Residential & Commercial Use

Max Wattage:

100w LED Equivalent; 60w Incandescent Bulb ;
Small Base (E12) Socket, Dimmable

Glass: Clear Glass Chimney Only

Mounting: Back plate (4.5" diameter) provided separately (in matching finish) to cover standard junction box. All installation hardware provided.

Material: Solid Brass Construction.

Available Finishes

Standard Finishes:

Unlacquered Brass – \$255
Polished Chrome - \$255

*Typically in-stock & available
for immediate shipment*

Replacement Glass:
Clear - \$22

Custom Finishes*: \$385 Each

Brass (Antique, Lacquered, Satin)
Copper (Antique, Polished, Satin)
Nickel (Antique, Polished, Satin)
Oil Rubbed Bronze ~ Pewter
Satin Chrome ~ Verdigris
Powder Coat (All Colors Available)
Custom Matching Also Available

**Custom Finish Info: 4-8 weeks unless in-stock; Rush Available; Special Orders not Refundable; Custom Lights often in-stock ; Minimum of two lights if not in-stock*

Shiplights
Residential & Commercial Lighting

68 Front St. Marblehead, MA 01945
p. 781-631-3864 f. 781-823-5555
info@shiplights.com
~ A Division of Brass 'N Bounty~

SOLID BRASS ~ WEATHER-PROOF ~ UL LISTED ~ DURABLE