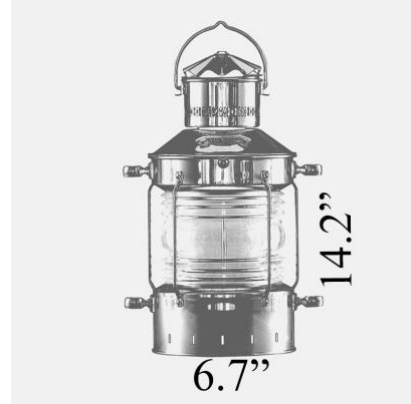


U-6: LARGE ANCHOR HANGING LIGHT



LISTED ; Interior / Exterior (Covered) Residential & Commercial Use

Max Wattage:

100w LED Equivalent; 75w Incandescent Bulb ;
Medium Base (E26) Socket, Dimmable (GU-24 also available)

Glass: Clear Glass Only (Fresnel type amplifies light)

Mounting: 4.8" Mounting back plate attaches to standard box. 20" of chain is provided, more available upon Request. All Install Hardware Provided.

Options: Flush (U-6F), Post (U-6POST) and Wall Mounts (U-3) Available

Material: Solid Brass Construction

Available Finishes

Standard Finishes:

Unlacquered Brass – \$495
Coated Brass – \$495

U-6 POST Light - \$525
U-6F Flush Mount - \$492

*Typically in-stock & available
for immediate shipment*

Custom Finishes*: \$645 Each

Brass (Antique, Lacquered, Satin)
Copper (Antique, Polished, Satin)
Nickel (Antique, Polished, Satin)
Oil Rubbed Bronze ~ Pewter
Polished & Satin Chrome ~ Verdigris
Powder Coat (All Colors Available)
Custom Matching Also Available

**Custom Finish Info: 4-8 weeks unless in-stock; Rush
Available; Special Orders not Refundable; Custom Lights
often in-stock ; Minimum of two lights if not in-stock*

Shiplights
Residential & Commercial Lighting

68 Front St. Marblehead, MA 01945
p. 781-631-3864 f. 781-823-5555
info@shiplights.com
~ A Division of Brass 'N Bounty~