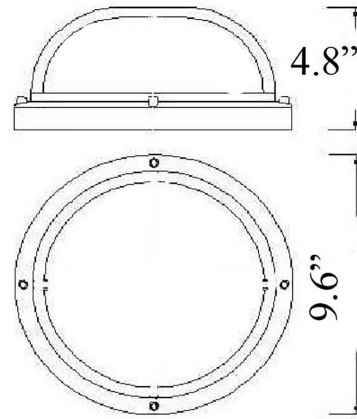


# F-5: OPEN BULKHEAD LIGHT



**LISTED Suitable for Wet Locations**

Interior / Exterior Residential & Commercial Use

Max Wattage:

100w LED Equivalent; 100w Wall, 60w Ceiling Incandescent Bulb ;  
Medium Base (E26) Socket, Dimmable (GU-24 also available)

Glass: Frosted Glass

Mounting: 9.6" Mounting Surface, attaches to standard box. All Installation Hardware Provided

Orientation: Can be used as Wall or Ceiling Fixture

Options: Available with On/Off Switch, Hood (B-2) or Cross Bar (B-3)

Material: Solid Brass Construction ; The brass cover is cut from our cages and may show slight signs of air pockets from inside the brass. Please contact us for additional pictures or information.

## Available Finishes

Standard Finishes:

Unlacquered Brass – \$425

*Typically in-stock & available  
for immediate shipment*

Replacement Glass:

Frosted - \$45

Custom Finishes\*: \$555 Each

Brass (Antique, Lacquered, Satin)

Copper (Antique, Polished, Satin)

Nickel (Antique, Polished, Satin)

Oil Rubbed Bronze ~ Pewter

Polished & Satin Chrome ~ Verdigris

Powder Coat (All Colors Available)

Custom Matching Also Available

*\*Custom Finish Info: 4-8 weeks unless in-stock; Rush Available; Special Orders not Refundable; Custom Lights often in-stock ; Minimum of two lights if not in-stock*

**Shiplights**  
*Residential & Commercial Lighting*

68 Front St. Marblehead, MA 01945

p. 781-631-3864 f. 781-823-5555

info@shiplights.com

~ A Division of Brass 'N Bounty~

SOLID BRASS ~ WEATHER-PROOF ~ UL LISTED ~ DURABLE