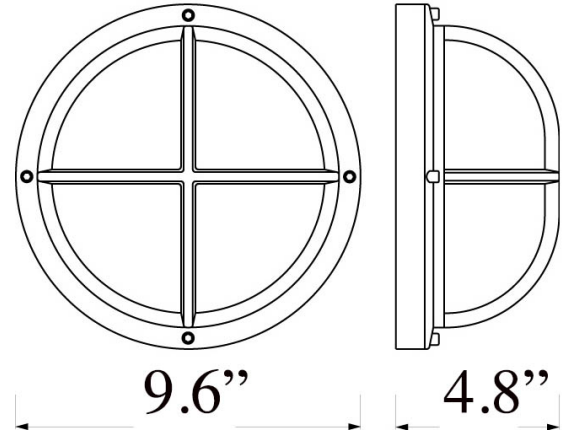


www.shiplights.com

B-3: BULKHEAD LIGHT w/ CROSS BAR



LISTED Suitable for Wet Locations

Interior / Exterior Residential & Commercial Use

Max Wattage:

100w LED Equivalent; 100w Wall, 60w Ceiling Incandescent Bulb ;
Medium Base (E26) Socket, Dimmable (GU-24 also available)

Glass: Frosted Glass

Mounting: 9.6" Mounting Surface, attaches to standard box. All Installation Hardware Provided

Orientation: Can be used as Wall or Ceiling Fixture

Options: On/Off Switch Available, with Hood (B-2) or Open (F-5)

Material: Solid Brass Construction

Available Finishes

Standard Finishes:

- Unlacquered Brass – \$390
- Industrial Chrome – \$425
- Polished Chrome - \$445

*Typically in-stock & available
for immediate shipment*

Replacement Glass:

Frosted - \$45

Custom Finishes*: \$520 Each

- Brass (Antique, Lacquered, Satin)
- Copper (Antique, Polished, Satin)
- Nickel (Antique, Polished, Satin)
- Oil Rubbed Bronze ~ Pewter
- Satin Chrome ~ Verdigris
- Powder Coat (All Colors Available)
- Custom Matching Also Available

**Custom Finish Info: 4-8 weeks unless in-stock; Rush Available; Special Orders not Refundable; Custom Lights often in-stock ; Minimum of two lights if not in-stock*

Shiplights
Residential & Commercial Lighting

68 Front St. Marblehead, MA 01945
p. 781-631-3864 f. 781-823-5555
info@shiplights.com
~ A Division of Brass 'N Bounty~

SOLID BRASS ~ WEATHER-PROOF ~ UL LISTED ~ DURABLE